

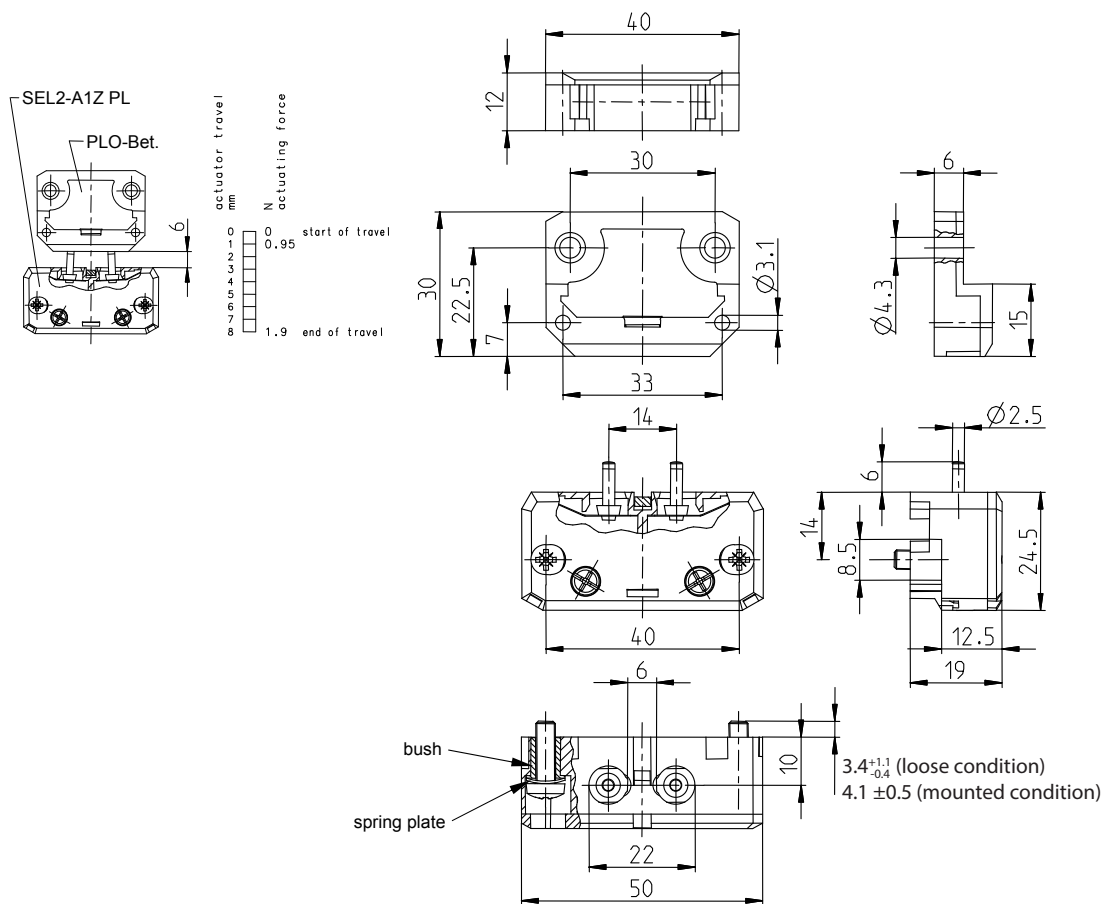
Safety switch

Series SEL – with separate actuator

Description SEL2-A1Z PL0

Article number 6016369031

Operating diagram



Tolerance:
Actuating force $\pm 10\%$

Electrical data

Rated insulation voltage	U_i	500 V
Rated impulse withstand voltage	U_{imp}	2.5 kV
Conv. thermal current	I_{the}	4 A
Rated operational voltage	U_e	230 V AC; 200 V DC (according to EN 81-20, -50)
Rated operational current	I_e	2 A (according to EN 81-20, -50)
Direct opening action	\rightarrow	acc. to IEC/EN 60947-5-1, Annex K
Gap between NC-contacts	$\text{\textcircled{T}}$	DIN EN 81-20
Short-circuit protective device		Fuse 6 A gL

Mechanical data	
Enclosure	PC(Self-extinguishing) red
Cover	PC(Self-extinguishing) transparent
Actuator	The actuator PL0 (3911462083) is included in the scope of delivery
Ambient air temperature	-30 °C ... + 70 °C
Contact type	1 N.C.
Mechanical life	10 x 10 ⁶ operating cycles at ≤ 30 operating cycles /min 1 x 10 ⁶ operating cycles at ≤ 60 operating cycles /min
Switching frequency	≤ 60 / min.
Assembly	Safety switch 2 x M4 thread rolling captive screws according to DIN 7500 Actuator 2 x M4
Connection	2 screw connections (M3,5)
Conductor cross-sections	Solid wire: 0,5 ... 1,5 mm ² or Stranded wire with ferrules: 0,5 ... 1,5 mm ²
Weight	≈ 0,03 kg
Installation position	operator definable
Protection type	IP00 acc. to EN 60529

Standards	
	DIN EN 60947-5-1
	EN 81-20, EN 81-50

EU Conformity	
	acc. to directive 2014/35/EU(Low-Voltage-Directive)

Approvals	
	TÜV SÜD
	cCSA _{US}
	ASME
	cUL _{US}
	CCC

Notes	
Do not use switch as end stop.	
Door switch to be used in elevator doors.	
The switch must be so installed that the current-carrying metal parts can not be touched directly by hand! The cable entry must be covered by additional measures at the installation site.	